

# Compas Direction

Jean Prouvé, 1953

**vitra.**



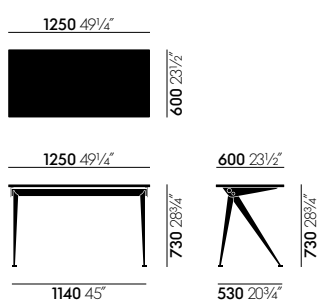
Jean Prouvé developed several versions of the Compas table around 1950, basing the design on the structural principles for which he is known. Common to all of them are the slender, elegantly splayed legs, which call to mind the hinged arms of a compass – ‘le compas’ in French.

The solid wood table top gives Compas Direction an individual touch. With its compact dimensions, the desk is ideal for the contemporary, largely paperless home office.

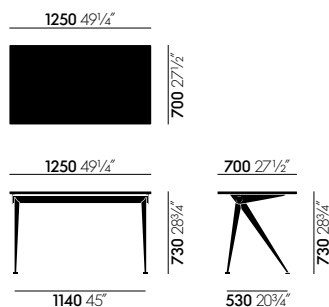
## Materials

- **Table top:** solid wood in natural oak with oiled finish, dark stained oak with protective natural lacquer finish, or American walnut with oiled finish.
- **Base:** bent sheet steel, powder-coated finish (smooth).
- **Origin of wood:** oak (*Quercus robur*) from Western Europe and/or Poland; American walnut (*Juglans nigra*) from the USA.

## DIMENSIONS



Compas Direction 1250 x 600



Compas Direction 1250 x 700



**70**  
natural solid oak,  
oiled



**75**  
solid American  
walnut, oiled



**04**  
dark stained solid  
oak, with protective  
varnish

**Table top**



**88**  
Prouvé Blanc  
Colombe (Ecru)  
powder-coated  
(smooth)



**06**  
Japanese red  
powder-coated  
(smooth)



**12**  
deep black  
powder-coated  
(smooth)

**Base frame  
Colour group 1**



**13**  
Prouvé Gris  
Vermeer powder-  
coated (smooth)



**18**  
Prouvé Blé Vert  
powder-coated  
(smooth)



**41**  
Prouvé Bleu  
Marcoule powder-  
coated (smooth)



**14**  
Prouvé Bleu  
Dynastie powder-  
coated (smooth)

**Base frame  
Colour group 2**

